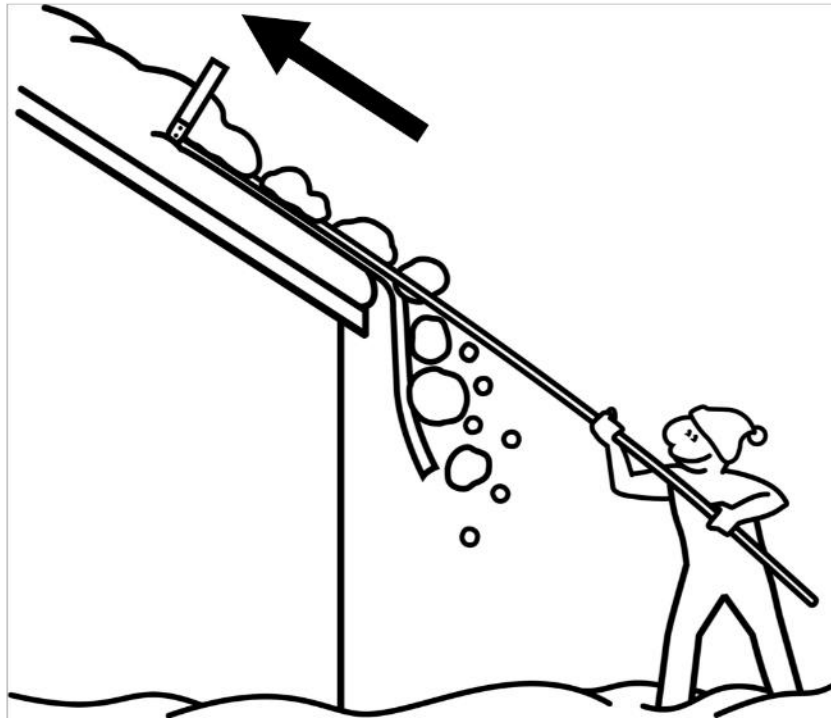


HOW-TO: GROUND LEVEL SNOW REMOVAL



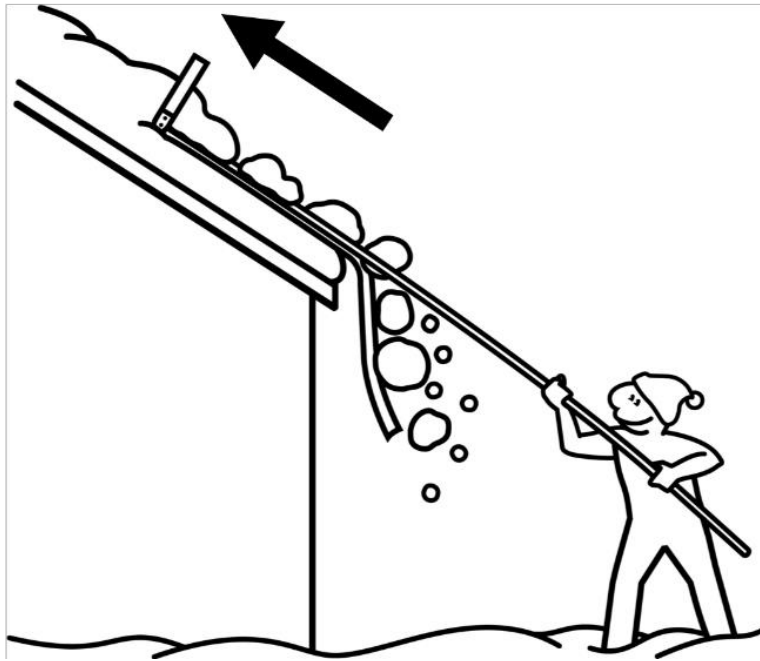
**SNOW
PEELER™**

**SNOW
PEELER™**
PREMIUM

BY | PAR

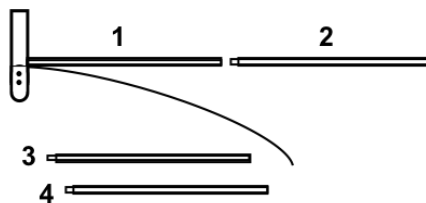
PolarMade™/MC

HOW-TO: GROUND LEVEL SNOW REMOVAL



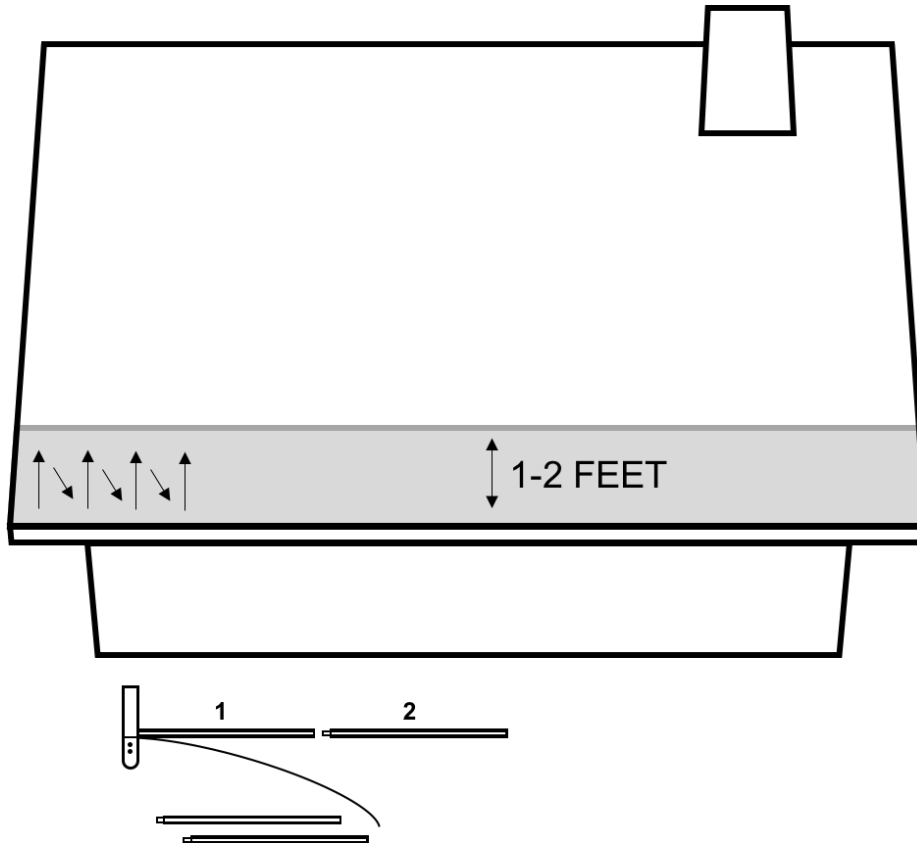
Before Use

Roll out the vinyl slide on your SnowPeeler before going outside. At temperatures drop below -10°C (14°F), the vinyl slide may stiffen making it difficult to unroll.



Only connect the number of pole extensions necessary to reach the first 1-2 feet of snow on the lower edge of your roof. This will minimize the weight of your SnowPeeler and reduce the effort required in this initial stage. Place the extra pole extensions nearby within reach. Do not stick the pole extensions end-first into snow drifts. Snow may clog the openings causing difficulties with the snap spring connectors.

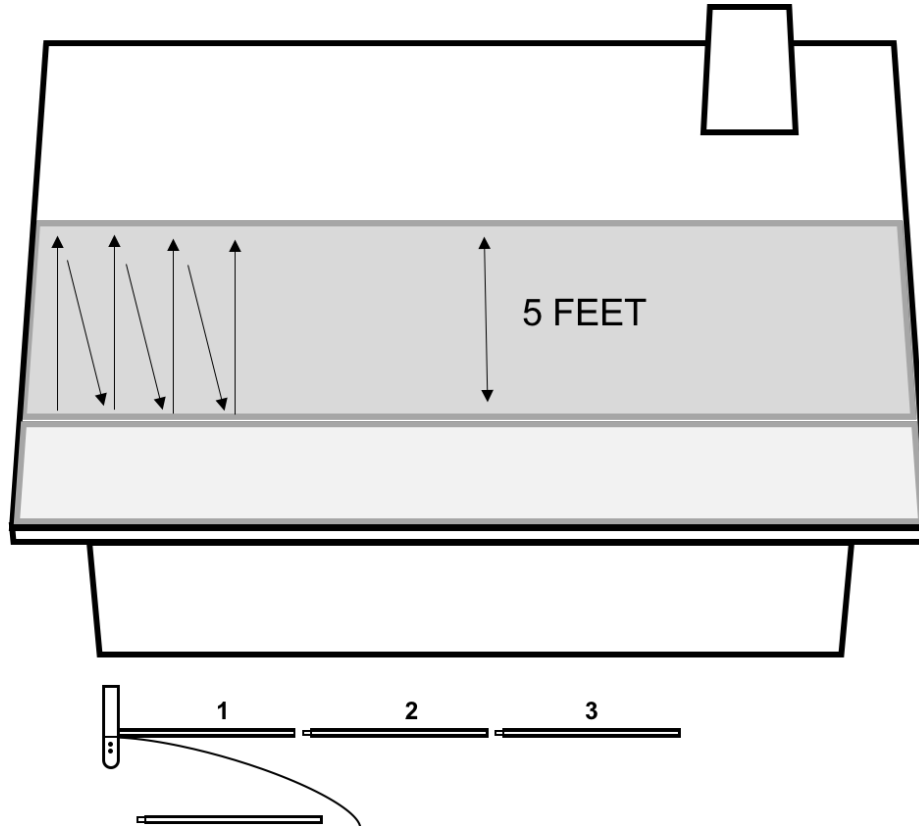
HOW-TO: **GROUND LEVEL SNOW REMOVAL**



STEP **ONE**

Clear the first 1-2 feet of snow closest to your gutter / lower eave. This step is very important because it provides a working area to maneuver your SnowPeeler laterally which will make clearing the upper section of your roof much easier.

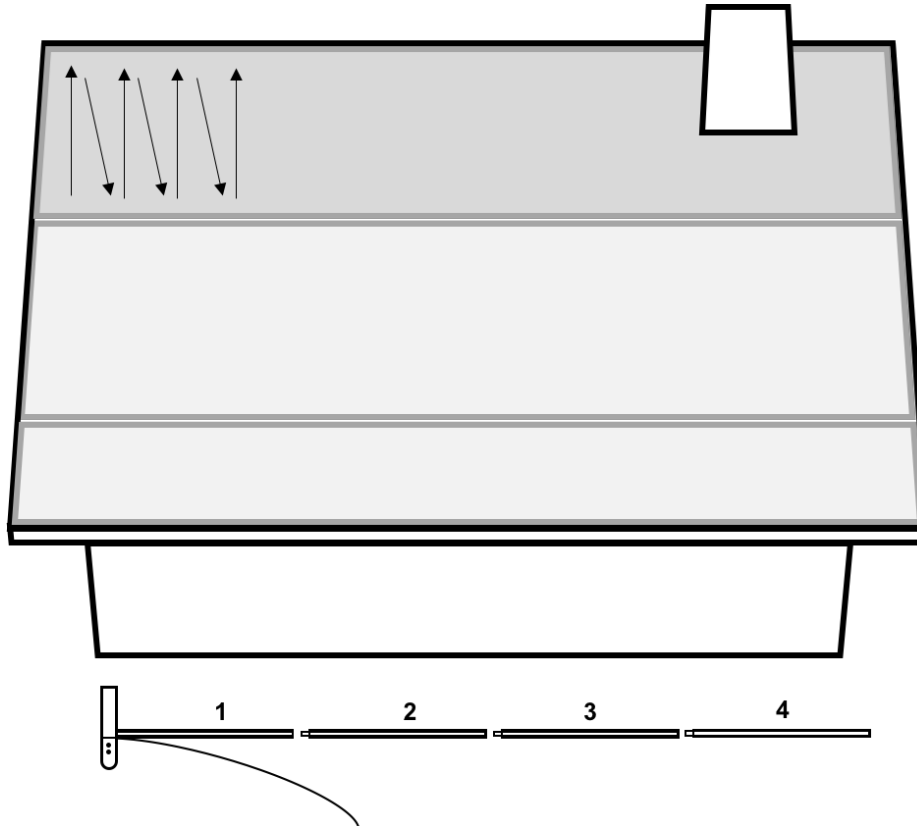
HOW-TO: GROUND LEVEL SNOW REMOVAL



STEP TWO

Starting at the edge of your house, clear snow 5 feet at a time using upward strokes and moving laterally across the roof. Do not try to clear the entire upward length of your roof by adding all of the pole extensions when you start. This will require more effort over time in that the weight of your SnowPeeler is not optimized. You may also find that the end of your SnowPeeler is hitting the ground more frequently as you have to pull it back all the way to reach the bottom of the roof.

HOW-TO: GROUND LEVEL SNOW REMOVAL

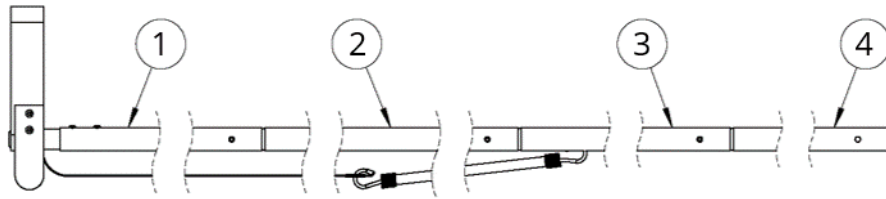


STEP THREE

Once you've cleared a 5-foot section, add an extension pole and begin to remove the next 5 feet. Repeat this step until you've reached the peak of your roof or you've added all of your available pole extensions (30-feet is generally the limit).

HOW-TO: **GROUND LEVEL SNOW REMOVAL**

ADDITIONAL **TIPS**



The 2018 version of SnowPeeler and SnowPeeler Premium was updated with a slide attachment. The purpose of the slide attachment is to minimize drift in windy conditions and to ensure the vinyl snow slide will always be aligned with the sectional handle.

The slide attachment consists of a slotted pole handle and an elastic slide attachment. The slotted pole handle is configured as the 3rd extension in the sectional handle. The elastic slide attachment is connected to the slot in the handle and the grommet in the tail of the vinyl slide.

To avoid being covered with snow when using the slide attachment, move the handle in a slight lateral direction to ensure the snow falls to the ground before reaching you.

HOW-TO: **GROUND LEVEL SNOW REMOVAL**

Have additional questions?

Please visit the FAQ page on our website:

<https://www.polarmade.ca/en/explore/faq>

Or contact us directly:

Email: info@polarmade.ca

Phone: (888) 425-0850