

The logo consists of the letters 'PIE' in a sans-serif font. The 'P' and 'I' are grey, while the 'E' is composed of three horizontal bars, with the top and bottom bars in red and the middle bar in grey.

PIE

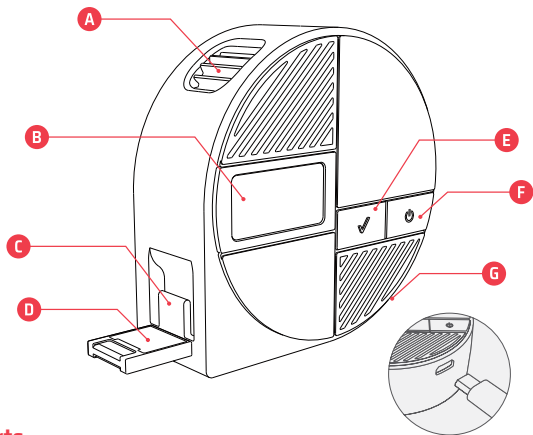
User Guide

# 1. PIE: Smart Tape Measure

PIE is the the world's first smart tape measure dedicated to helping you measure accurate body sizes. It helps you easily measure various parts of your body and keep track of any size changes.

## 2. What's Included

- A. PIE: Smart Tape Measure
- B. 50cm Micro USB charging cable
- C. User Guide



## Parts

---

**A** Fastening Gear

**D** Tape Tip

**G** USB Charging Port

**B** OLED Display

**E** Save Button

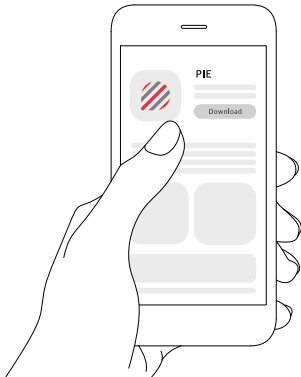
**C** Hook

**F** Power Button

## 3. Getting Started

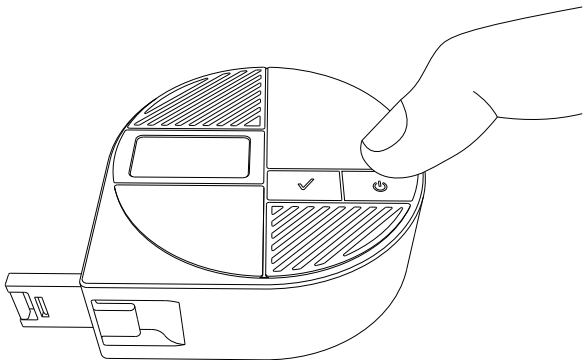
### 1 Install the PIE App

Search for 'Bagel Labs PIE' on the App Store or Google Play to download and install the free PIE app.



## 2 Power PIE On

Press and hold PIE's power button for 2 seconds to turn it on.



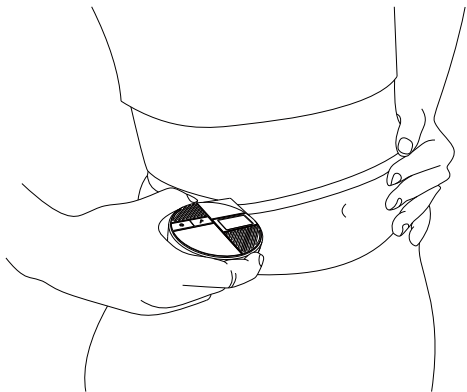
### 3 Connect with your Smartphone

On the PIE app, enter the Device Menu **1** and click on your PIE **2** to connect. If your PIE is not on the list, make sure your phone's Bluetooth is turned on and restart PIE.



## 4 Start Measuring

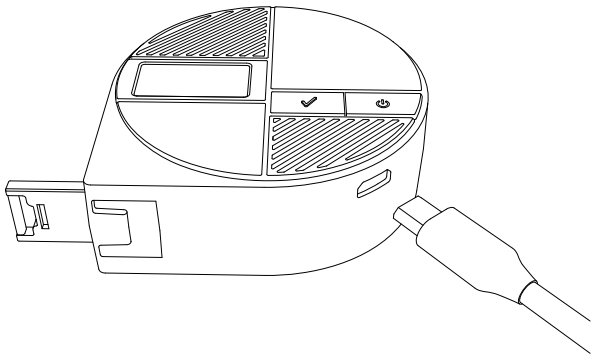
Measure your body size using your PIE's tape.  
Press the save button to send measurements to the app.



## 5 Recharging PIE

Use the included micro USB cable to recharge PIE's battery. PIE should take around 2 hours to fully charge and allow approximately 10 hours of constant use.

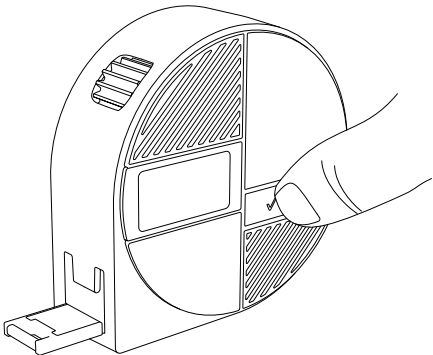
**NOTE:** The micro USB Port is for charging purpose only and does not support data transfer.





## 6 Changing Units

Press and hold the save button to change measuring units. You can select from inches, millimeters and centimeters.



## 4. Safety Warnings

Please read all instructions. Failure to follow any instruction listed below may result in electric shock, fire, choking and/or serious injury.

- i . DO NOT use this device for any purpose other than outlined in this manual.
- ii . DO NOT disassemble / modify the device. There are no user serviceable parts inside.
- iii . DO NOT subject the device to extreme conditions: extreme temperatures beyond operating temperatures, high vibrations, dusty area, humid conditions (including any liquid) or direct sunlight.
- iv . DO NOT use excessive force on the tape or the fastening gear. Stretching the tape or grinding the gear can damage the device permanently.
- v . DO NOT fold or twist the tape. This can damage the tape permanently.
- vi . DO NOT use excessive force to pull the tape over 150 cm / 59 in. This may permanently damage the device.
- vii . Be very careful when measuring neck circumference. The fiberglass tape may accidentally cause choking.



## 5. Limited Warranty

Thank you for purchasing a Bagel Labs product.

This product was manufactured under strict quality assurance and inspection standards of Bagel Labs. This warranty is effective for 1 year from the date of purchase. Products with defects within the warranty period needs to be returned to be (i) replaced with a new product free of charge, or (ii) refunded, at our discretion.

Exclusions from warranties:

if the device was not purchased from Bagel Labs or Bagel Labs certified dealers, if the device was modified or disassembled, if the device was not treated with the above instructions, if the device had taken more than 10,000 measurements.

## 6. Operating Specifications

<b>Voltage</b>	Input 5V DC	<b>Compatible OS</b>	iOS, Android
<b>Display</b>	0.96" OLED (128x64)	<b>Firmware Update</b>	Over the Air Firmware Update
<b>Battery</b>	400mAh Li-Po	<b>Measurement</b>	
<b>Connectivity</b>	Bluetooth Low Energy 4.2	<ul style="list-style-type: none"><li>• Range</li><li>• Units</li><li>• Resolution</li><li>• Accuracy</li></ul>	2 - 150 cm, 1 - 59 in mm, cm, in
<b>Materials</b>	Polycarbonate (Housing) Polyoxymethylene (Fastening Gear) Fiber glass (Tape)	<b>Operating Temperature</b>	-20 ~ 65°C -4 ~ 149°F

For more information,  
please visit our website or email us at the following address:

<https://www.bagel-labs.com>  
[support@bagel-labs.com](mailto:support@bagel-labs.com)

Made in Korea  
Designed by Bagel Labs



Copyright 2018 Bagel Labs. All Rights Reserved.

**THANK YOU !**