

NOVIS
vita
Juicer
SWISS ENGINEERING

THE VITAMIN TWISTER

VITAJUICER.COM

OPERATING INSTRUCTIONS

Vita Juicer by Novis® Operating Instructions

Contents

1	Safety instructions
2	Important safety procedures
3	Purchased parts package
4	Before start of operation
5	Operation
5	Juicing without blender/purée
6	Juicing with blender/purée attachment
7	Citrus press without centrifuge (CITROMAX®)
8	Citrus press with centrifuge (VITATEC®)
9	Tips
9	DROPHOLD®
9	Emptying the centrifuge
9	Maximizing juice extraction
9	Dual protection
10	Product care and cleaning
11	Troubleshooting
11	Novis® Vita Juicer not running
11	Juice not flowing out
11	Novis® Vita Juicer vibrating
11	Centrifuge blocked
12	Disposal
12	Technical data
13	Warranty
13	Customer service

Scope of application

These operating instructions apply to the following models:

Model	Type
Novis® Vita Juicer	6500

Safety instructions

Your safety and the safety of others are of great importance.

These operating instructions include several pieces of advice on safety. Please read and always follow all these safety instructions.



This symbol is used to flag up risks and hazards which could potentially lead to death or injury. All the safety instructions indicate the type of danger and give advice as to how you can avoid risk of injury and explain the consequences of failing to heed this advice.



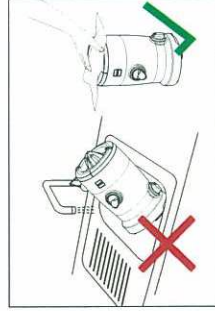
This symbol flags up useful hints



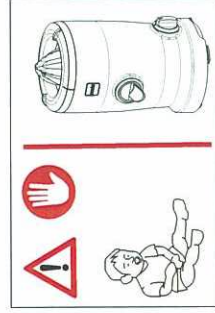
Important safety procedures

The basic safety procedures set out below must always be followed when using electrical appliances.

1. Please read these operating instructions carefully.
2. Never immerse the Novis® Vita Juicer in water or other liquids in order to avoid the risk of electric shock.



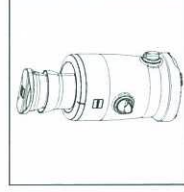
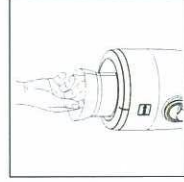
3. This Novis® Vita Juicer is not designed to be used by children. Persons with physical or mental disabilities or limited sensory perception and also persons who are inexperienced or uninformed should only operate the Novis® Vita Juicer under the supervision or guidance of another person who is responsible for their safety.



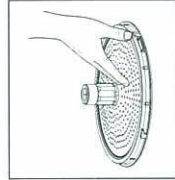
4. Unplug the Novis® Vita Juicer when it is not in use, before fitting or removing attachments, and before cleaning the Novis® Vita Juicer.
5. Do not touch moving parts.
6. Do not operate the Novis® Vita Juicer with a damaged cable or plug or after it has malfunctioned or been dropped or damaged in some other

way. Have the Novis® Vita Juicer inspected by your nearest Novis after-sales service point.

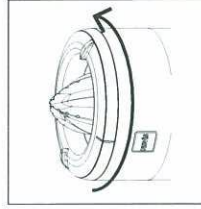
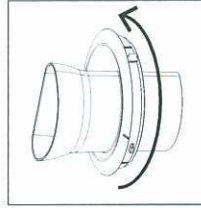
7. If the plug does not fit in the socket, please consult a qualified electrician. The plug may only be exchanged by a duly qualified professional.
8. The use of accessories which do not bear the Novis name may cause fire, electric shock or injuries.
9. Do not use the appliance outdoors.
10. Do not allow the mains lead to dangle over the edge of the table or work surface.
11. When processing ingredients, do not reach into the feed chute with your hands or with utensils as this could cause serious injuries or damage to the appliance. Only use the pusher provided.



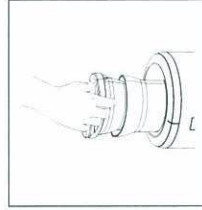
12. The shredder disc is sharp. Handle it with care.



13. Make sure that the lid or pulp collector is firmly locked in position before switching on the Novis® Vita Juicer.



14. Always use the pusher to push the ingredients down.



15. Do not attempt to avoid the catch on the lid or on the pulp collector and the inner container.
16. Never use defective parts. Contact your stockist or the addresses given in the section on after-sales service.
17. If the power cord is damaged, it must be replaced by the manufacturer or a suitably qualified professional in order to prevent any further danger/damage.
18. Do not use the Novis® Vita Juicer if the rotary shredder disk is operating or the protective cover is damaged or has visible cracks/damage. coer is damaged or has visible cracks.
19. Most juices require processing times of 2 to 5 minutes. The Novis® Vita Juicer can be operated continuously for up to 20 minutes.

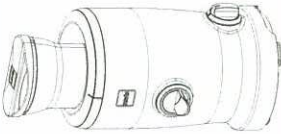



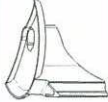
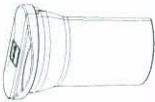


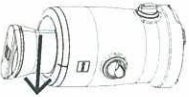

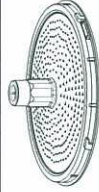

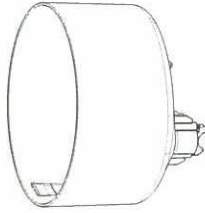
This product is designed for household use only.

Keep these operating instructions for future reference.

Purchased parts package

Check that all the parts have been supplied with the product. Please contact your stockist without delay if any parts are missing. The operating instructions include a description of how to safely use the accessories supplied with the juicer.

<p>Novis® Vita Juicer</p>	
<p>Reamer</p>	
<p>Pulp collector</p>	
<p>Citrus strainer</p>	
<p>Blender/purée attachment</p>	
<p>Pusher</p>	

<p>Turn the lid to the left slightly in order to reach the centrifuge and inner container</p>	
<p>Centrifuge (consisting of centrifuge strainer and shredder disc)</p>	
<p>Shredder disc</p>	
<p>Spout unit/DROPHOLD</p>	
<p>Inner container</p>	
<p>The packaging material (cardboard, PE plastic film and EPS expanded polystyrene) is labelled and should be recycled if possible and disposed of with due regard for the environment.</p>	

Before start of operation

Place the Novis® Vita Juicer on a dry and even surface so that the spout is at the front and the switch is on the right.

Before using the Novis® Vita Juicer for the first time, wash all the removable parts and wipe the housing with a damp cloth (see section on product care and cleaning).



Caution

Fully assemble the Novis® Vita Juicer before plugging it in at the mains

(220–240 volt alternating current; frequency: 50/60 Hz).

Shortening the cable

If you place the Novis® Vita Juicer near a plug socket, you can shorten the cable by winding it up in the base of the appliance.

Follow the steps below:

1. Remove the lid, inner container, juicer attachment, reamer and centrifuge, etc.
2. Place the Novis® Vita Juicer upside down on a soft cloth.
3. Unclip the cable from the holder.
4. Wind the cable round in the base once or twice, leaving the correct amount of cable for the distance from the socket.
5. Clip the cable back into the holder.

