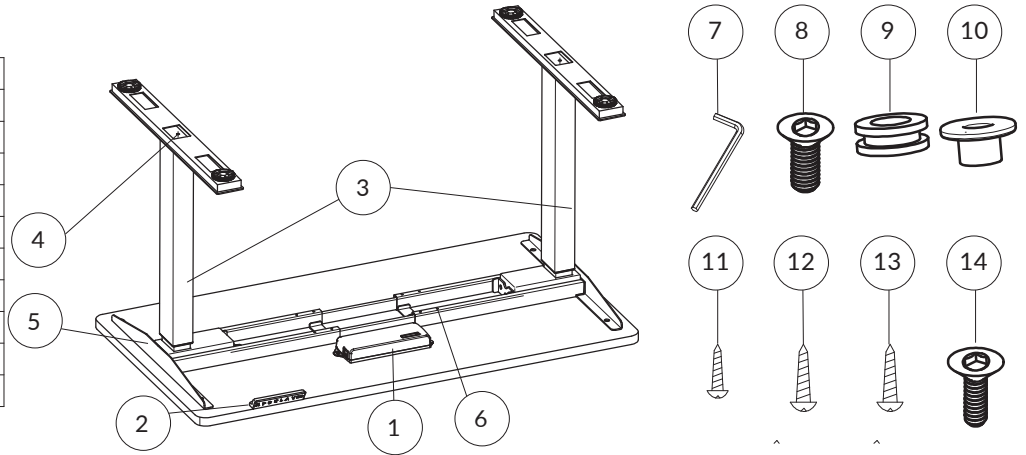
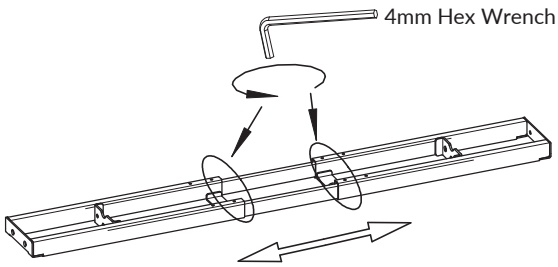


Parts and Tools list

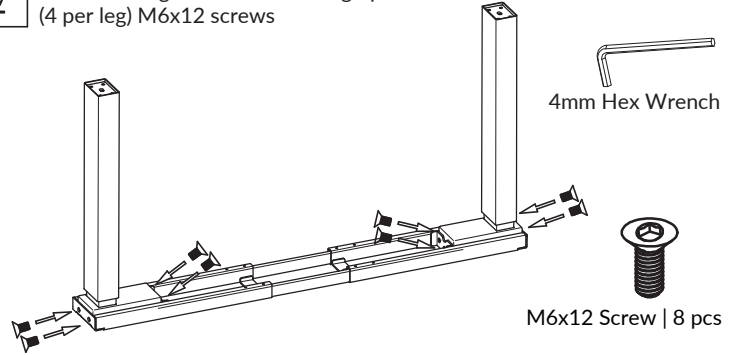
NO.	Name	Qty	NO.	Name	Qty
1	Control Box	1	11	ST3 5x19 Screw	2
2	Keypad	1	12	ST4 8x19 Screw	2
3	Legs	2	13	ST4 8x25 Screw	6
4	Foot	2	14	M6x10 Screw	8
5	Wing	2			
6	Beam	1			
7	4mm Hex Wrench	1			
8	M6x12 Screws	12			
9	Rubber Cushion	6			
10	Plastic Pad	6			



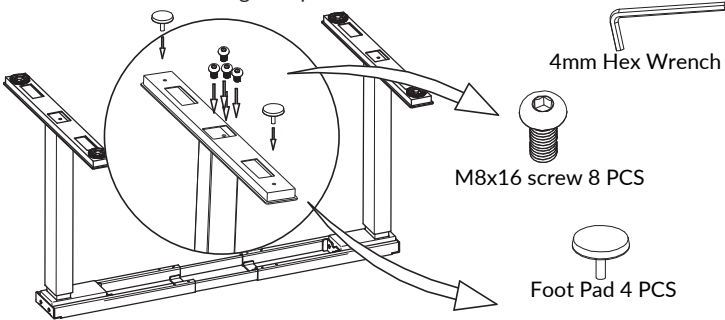
1 Loosen the 4 screws on the beam using the 4mm Hex Wrench. Adjust the width of the beam to your desired position.



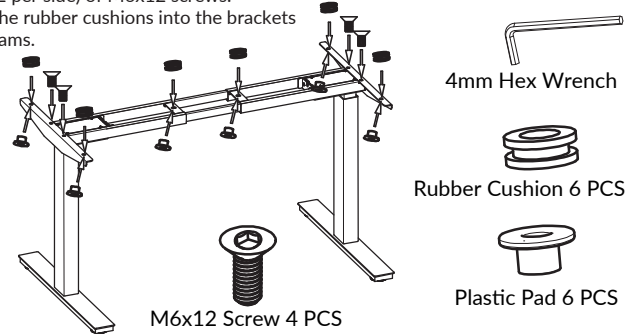
2 Attach the legs to the beam using 8pcs (4 per leg) M6x12 screws



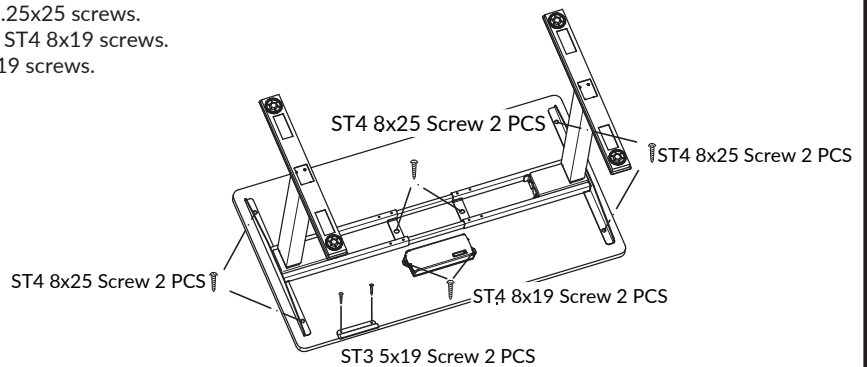
3 Attach the feet to the legs using 8 pcs (4 per leg) of M6x14 screws. Attach the 4 leveling foot pads.



4 Turn the frame over (right side up). Attach the wings to the beam using 4 pcs (2 per side) of M6x12 screws. Press the rubber cushions into the brackets and beams.



5 (Optional) Connect the desktop to the frame with 6pcs of ST4 8.25x25 screws. Attach the control box to the bottom of your desktop with 2pcs ST4 8x19 screws. Attach the keypad to the edge of the desktop with 2pcs ST3 5x19 screws.



6 Connect each leg, the keypad, and the power cable to the control box. Plug the power cable into the wall outlet.

